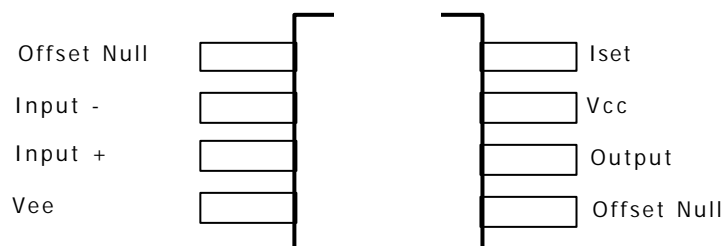


MICROPOWER PROGRAMMABLE OPERATIONAL AMPLIFIER

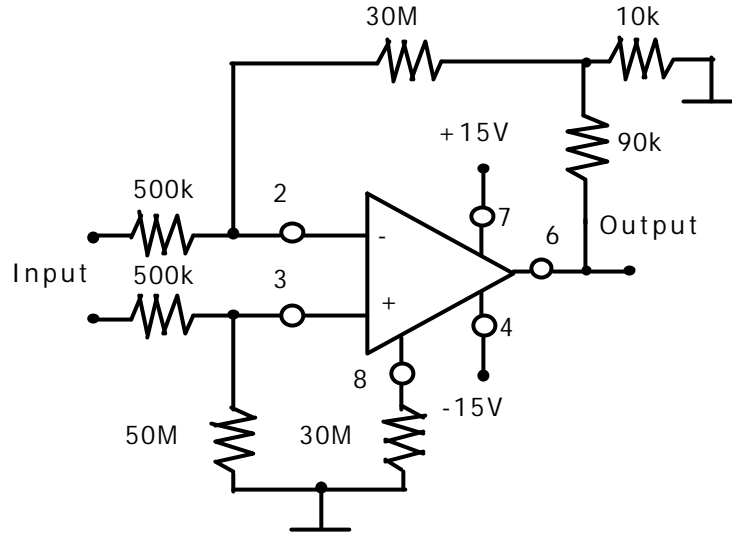
This extremely versatile operational amplifier features low power consumption and high input impedance. In addition, the quiescent currents within the device may be programmed by the choice of an external resistor value or current source applied to the I_{set} input. This allows the amplifier's characteristics to be optimized for input current and power consumption despite wide variations in operating power supply voltages.

FEATURES

Supply Operation	$\pm 1,2 - \pm 18 V$
Input Bias Current	2nA typ
Input Offset Current	0,7 nA typ
Input Offset Voltage	2 mV typ
Large Signal Voltage Gain	$\geq 50 k V/V$
Low Current Drain	
Wide Programming Range	
Offset Null Capability	
Short Circuit Protection	
Internally Frequency Compensated for Unity Gain	



SL1776
High Input Impedance Amplifier



Multiple Feedback Bandpass Filter (1.0kHz)

